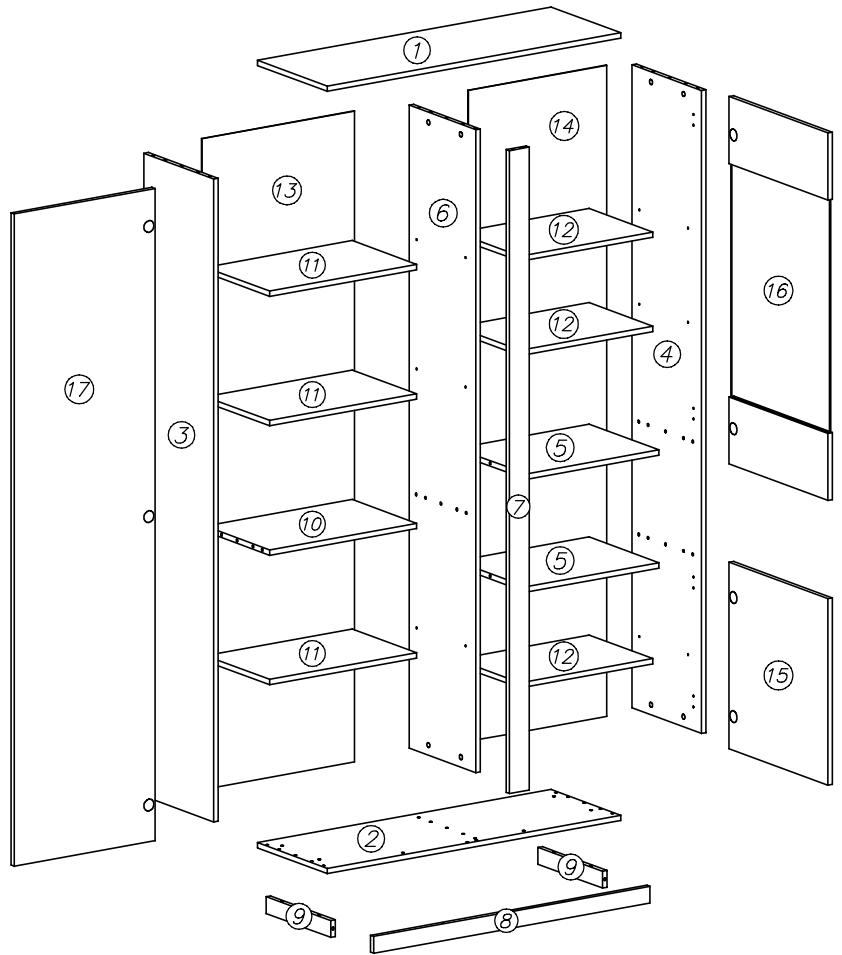
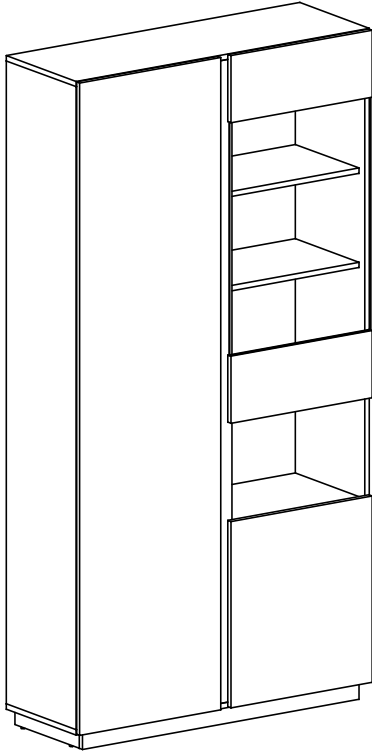
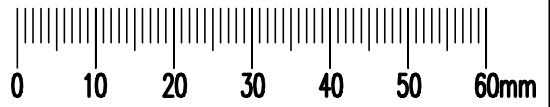
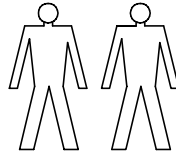
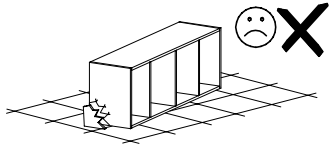
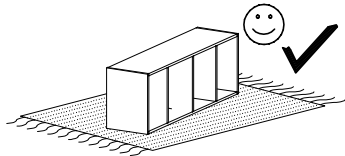
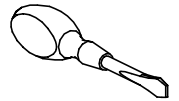
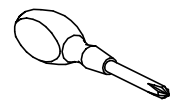
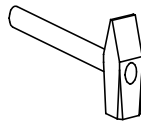


ALMOND 8



F4	x3
G34	3,5x16 x20
K1	$\varnothing 15 \times 12$ x24
K5	x24

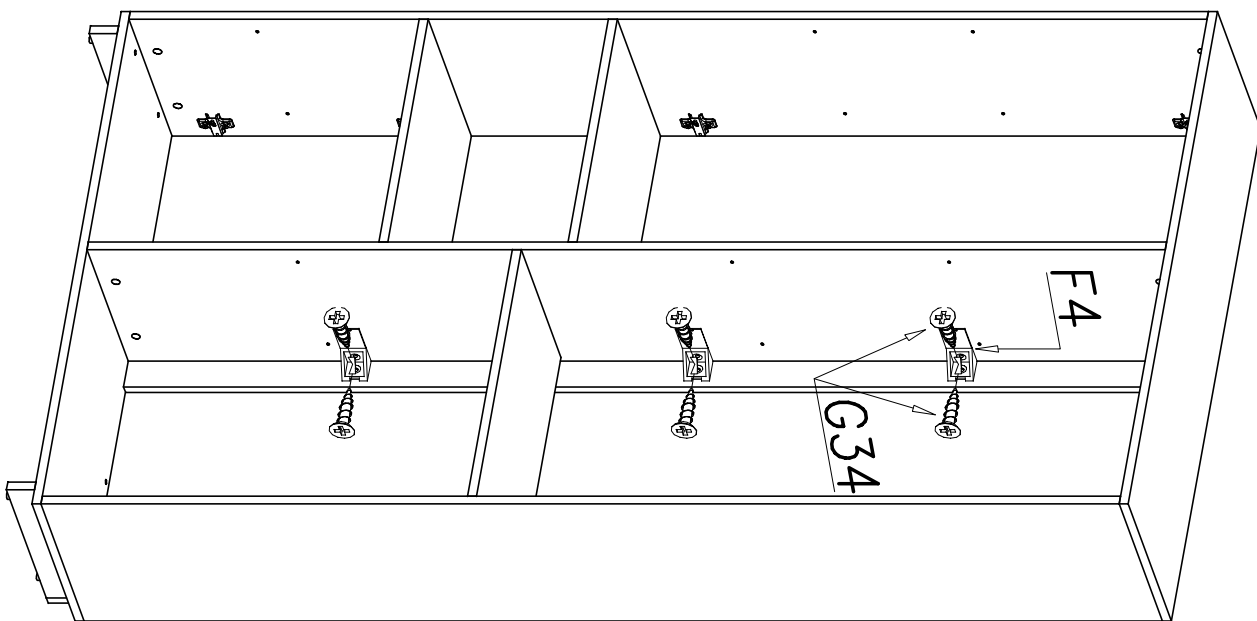
A1	$\varnothing 7 \times 50$ x6
W4	1,6x20 x70

D3	PZ35PR x7
B1	$\varnothing 8 \times 35$ x41

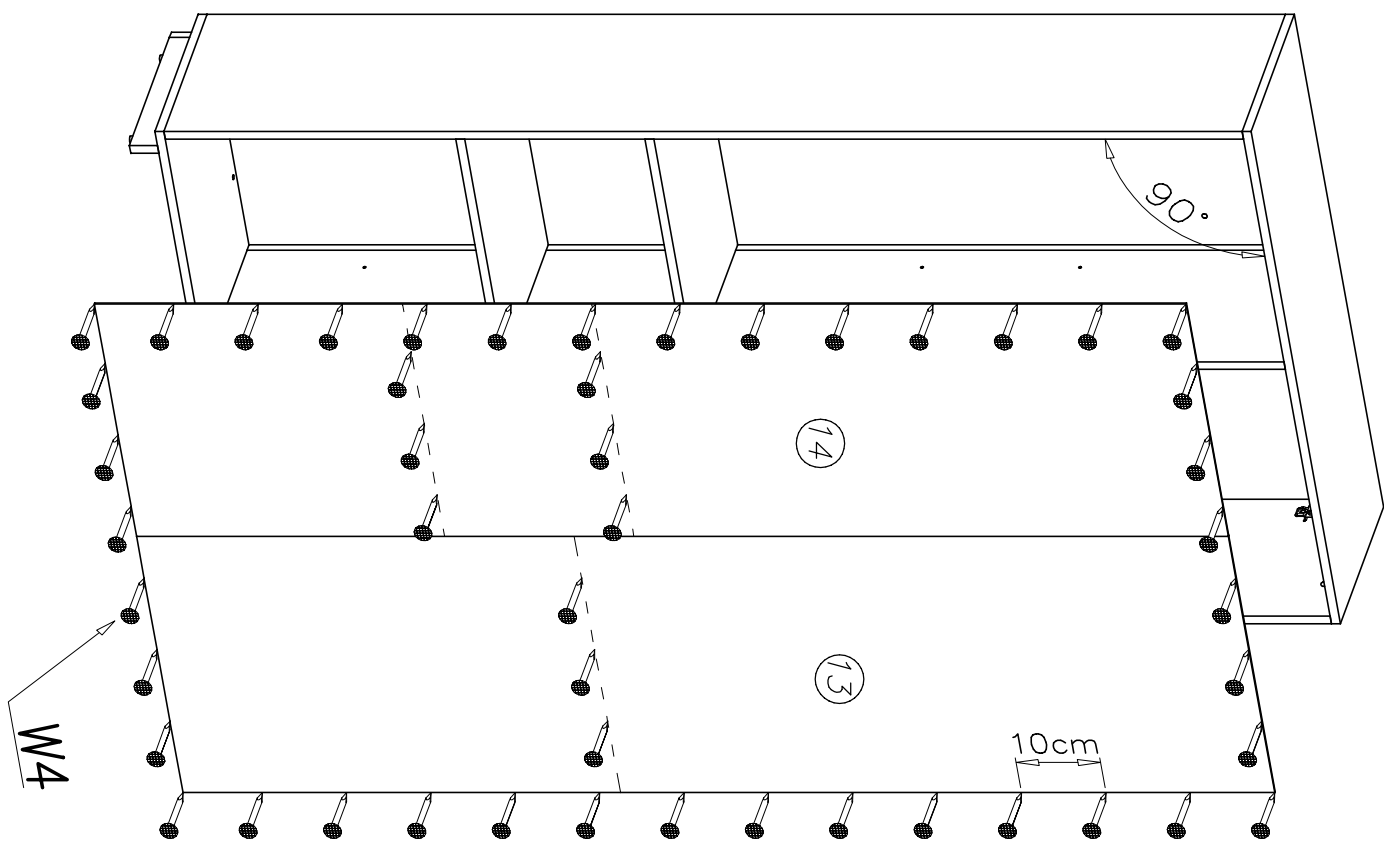
C3	Z35PR x7
P4	x4

W2	x1
F2	x24

3



4



5

